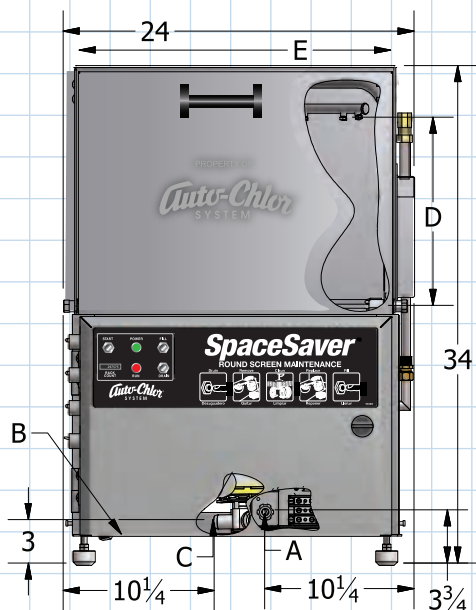
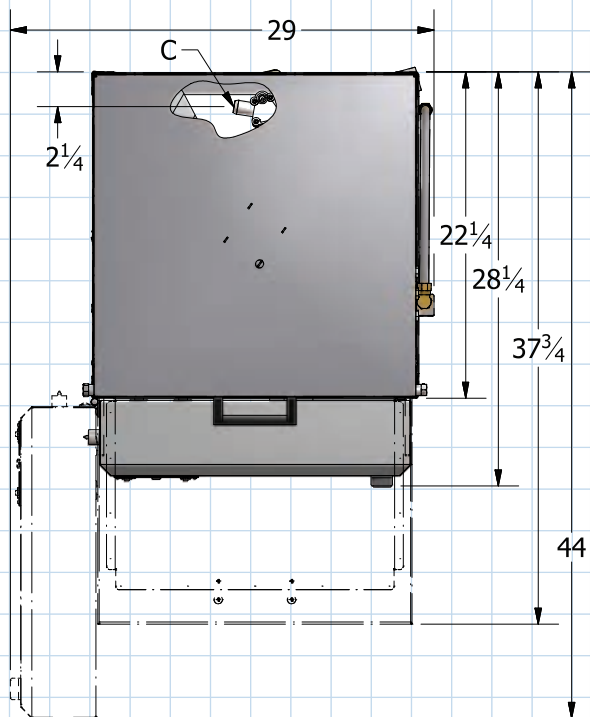


Breakthrough High Temperature Warewashing Technology

- TempWatch temperature monitoring system regulates internal heaters to guarantee correct wash and rinse temperatures cycle after cycle.
- Powerful pump delivers optimum final rinse pressure combined with water temperature monitoring that ensures crystal clean, sanitized ware.
- “Fresh-fill” operation provides clean wash and rinse water every cycle.
- Upper and lower rotating spray arms blast away the toughest soils.
- Regularly scheduled 28-day service ensures sparkling results, minimizes mechanical problems and reduces operating costs.
- Benefiting from more than 75 years of improvements through dishwashing experience and knowledge.



**Total Service.
Total Satisfaction.**



Specifications

Standard 120 second cycle, 24 racks/hr.

Built-In Booster Heater, Pumped Rinse and Pumped Drain

Dual Mode Sanitizing	Chemical	High Temp
Min. Wash Time	72 Sec.	72 Sec.
Min. Wash Tank Temp.	120°F	150°F
Rinse Temp.	Min. 150°F	180-195°F
Min. Rinse Time	28 Sec.	28 Sec.
Sanitizing Chemical	Chlorine	N/A
Min. Sanitizer Conc.	50 PPM	N/A

Rinse pressure controlled by pumped rinse. No pressure monitoring required.

Electrical requires 4 wire connection - L1, L2, G and current carrying neutral. For supply connection use wire rated for at least 90°C. Use copper or aluminum conductors - 208/240 VAC 60Hz, 1 PH

Ratings	208V	240V
Total Load	42A	32A
Booster Heater	7.5 kW	6.6 kW
Wash Tank Heater	2.25 kW	3 kW
Wash Pump	230V / 6.1 A	1 HP
Min. Circuit Current Capacity	50A	50A
Max. Circuit Breaker	50A	50A
Water Consumption	1.47 gal/rack (35.3 GPH)	
Water Supply	140°F at 7.5 GPM	

(Lower water supply temperature may cause longer cycles.)
 Water Connection 1/2 FPT behind control door on front left
 Backflow protection provide by ASSE 1004 conforming air gap.

Drain Pump Connection: 1" tube

Wash Cavity Clearance: 13" max. height

Rack Clearance: 20 1/8" between rails

Rack Size: 20" x 20"

Available Options

Leg extensions: 4", 6" or 10"

Left and rear lower panels

17" wash cavity with 38" height

Warm, moist air escapes from the door and air gap. Use only heat and moisture resistant materials adjacent to machine.

